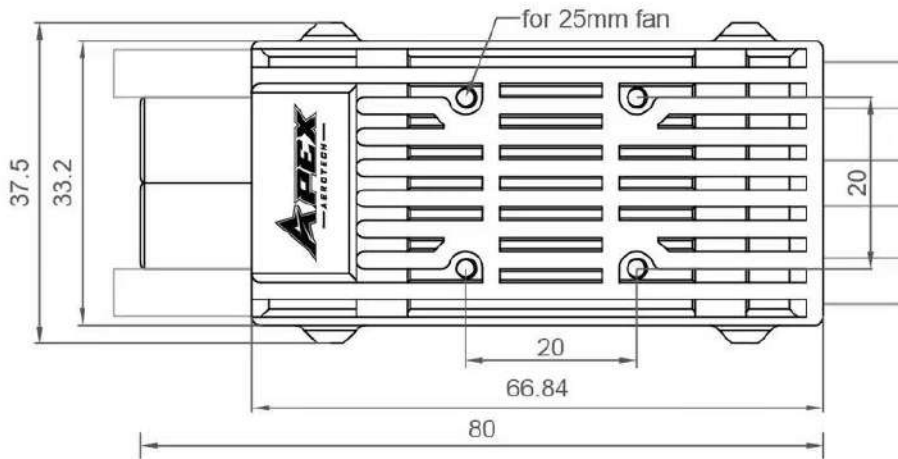


Dimension



Specification

Specifications Series	SUMMIT 120 MKII
SKU	ADS120
Dimensions(L x W x D) (w/o fan)	80 x 37.5 x 19.7mm
Weight (with accessory)	168g
Number of Cell	2S...8S Lipo, 7.4V...29.6V
Continuous Current	120A
Burst Current	150A
Resistance (Ri)(mOhm)	1.00
Antispark	YES
Signal & Frequency	PWM, Up to 450Hz
Battery Eliminate Circuit (BEC)	Switching mode, 8A constant, 5V-8.4V Adjustable
Cooling Fan	YES
Programming	Automatic & Preset
Flight Controller Friendly	YES
Energy Recovery	YES
Brake System	YES & Adjustable
Timing System	Automatic
Low Voltage protection	YES
Acceleration	Preset
Overheat protection	YES
Water & Dusty proof	NO
Heat Sink	YES
Full CNC Alu. Case	YES
LED Indicator	YES, onboard
Input Wires	10AWG, 300mm
Output Wires	10AWG, 100mm w/ DB4F
Signal Wire	JR, 450mm
Tested Motors	APEX GA1500R MKII
Applications	Upto 3000W, 125E class electric powered 3D/Freestyle airplane, F3A and Fixed wing UAV